

# Network Video Recorder

## NVR516-E-R Series



## Features

- Support Ultra 265/H.265/H.264 video formats
- 64/128-channel input
- Support mainstream cameras of ONVIF conformance(Profile S, Profile G, Profile T ) and RTSP protocols
- Support 2-ch HDMI, 2-ch VGA, HDMI1 at up to 8K(7680x4320) resolution, HDMI2 at up to 4K(3840x2160) resolution
- VGA1 and HDMI1 simultaneous output, VGA2 and HDMI2 simultaneous output. VGA1/HDMI1 and VGA2/HDMI2 independent output
- Up to 32 Megapixels resolution recording
- Redundant power supply optional
- Support HDD hot swap with RAID 0, 1, 5, 6, 10, 50, 60 storage scheme configurable
- Support 12V power output
- ANR technology to enhance the storage reliability when the network is disconnected
- Support cloud upgrade
- Support N+1 Hot spare

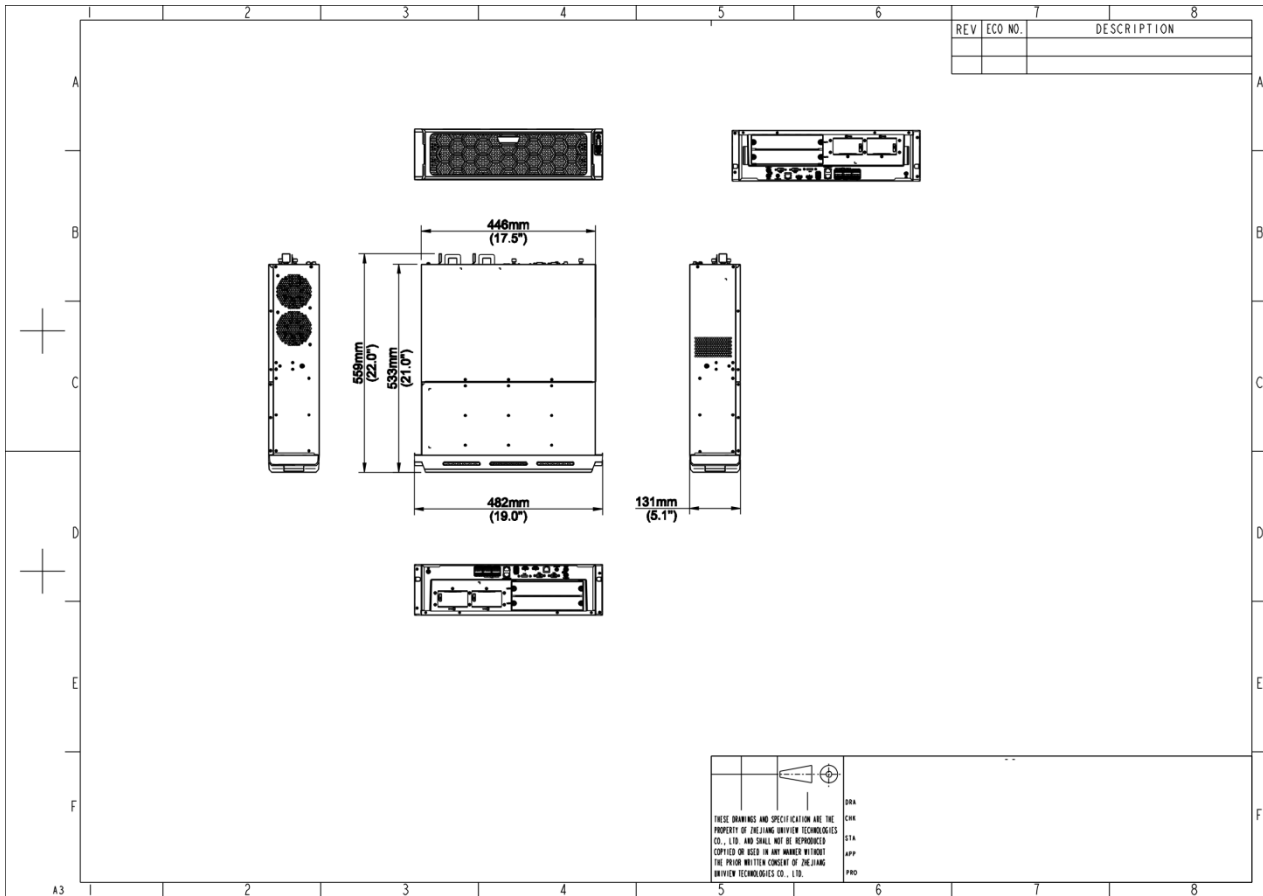
## Specifications

Model	NVR516-64E-R	NVR516-128E-R
<b>Decoding</b>		
Decoding Format	Ultra 265, H.265, H.264	
Decoding Capability	2 x 32MP@30, 4 x 16MP@30, 5 x 12MP@30, 8 x 4K@30, 12 x 5MP@30, 16 x 4MP@30, 20 x 3MP@30, 32 x 1080P@30, 54 x 960P@30, 64 x 720P@30	2 x 32MP@30, 4 x 16MP@30, 5 x 12MP@30, 8 x 4K@30, 12 x 5MP@30, 16 x 4MP@30, 20 x 3MP@30, 32 x 1080P@30, 54 x 960P@30, 72 x 720P@30, 128 x D1
Decoding Capability Description	The resolution of each channel cannot exceed 8640 pixels in length or width, For VGA/HDMI independent output, the VGA live video is output by default. To output the highest resolution video from the HDMI port, please clear the VGA video on the preview page.	
Audio Compression	G.711A, G.711U	
<b>Network</b>		
Incoming Bandwidth	640Mbps	
Outgoing Bandwidth	640Mbps	
Remote Users	128	
Protocols	TCP/IP, P2P, UPnP, NTP, DHCP, PPPoE, HTTP, HTTPS, DNS, DDNS, SNMP, SMTP, NFS, RTSP, 802.1x, IPv6, IPv4	
Browser(Plugin)	IE10, IE11, Chrome 45+, Edge 79+, Firefox 52+	
<b>Video/Audio Input</b>		
IP Video Input	64-ch	128-ch
RCA Audio Input	1-ch	
<b>Video/Audio Output</b>		
HDMI Output	HDMI1: 8K (7680 × 4320)/30 Hz, 4K (3840 × 2160)/60 Hz, 1920 × 1080/60 Hz, 1600 × 1200/60 Hz, 1280 × 1024/60 Hz, 1280 × 720/60 Hz, 1024 × 768/60 Hz; HDMI2: 4K (3840 × 2160)/60 Hz, 1920 × 1080/60 Hz, 1600 × 1200/60 Hz, 1280 × 1024/60 Hz, 1280 × 720/60 Hz, 1024 × 768/60 Hz	
VGA Output	1920 × 1080/60 Hz, 1600 × 1200/60 Hz, 1280 × 1024/60 Hz, 1280 × 720/60 Hz, 1024 × 768/60 Hz	
RCA Audio Output	2-ch	
Liveview Display	1/4/6/8/9/16/25/36/64	
Corridor Mode Screen	3/4/5/7/9/10/12/16/32	

Two-way Audio	
Two-way Audio	1-ch, RCA (Using the audio input and output)
Snapshot	
FTP/Schedule/Event Snapshot	16-ch snapshot (max. 8 MP (3840 × 2160) video resolution, with 1080P snapshot resolution)
Recording	
Recording Resolution	32 MP/16 MP/12 MP/8 MP/6 MP/5 MP/4 MP/3 MP/1080P/960P/720P/D1/2CIF/CIF
Synchronous Playback in Local	16-ch
Smart	
VCA Detection by IPC	Face Detection, Face Comparison, Vehicle Detection, SIP (Intrusion Detection, Cross Line Detection, Enter Area, Leave Area), Ultra Motion Detection (UMD), Temperature Detection (Fire Detection, Smoking Detection, Temperature Measurement, Smoke and Fire Detection), People Counting (People Flow Counting, Crowd Density Monitoring), Video Metadata, Traffic Monitoring
VCA Search	Face Snapshot Search, Face Comparison Search, Motor Vehicle Search, Non-Motor Vehicle Search, Human Body Search, General Search, People Counting Report, Heat Map
Smart by IPC	All channels (up to 32 images/s in total)Face Detection, Face Comparison, Vehicle Detection, Temperature Detection, SIP, UMD, Video Metadata, Traffic Monitoring
Alarm	
General Alarm	Defocus Detection, Scene Change Detection, Object Left Behind, Object Removed, Auto Tracking, Motion Detection, Tampering, Human Body Detection, Video Loss, Alarm Input, Audio Detection
Alert Alarm	IP Conflict, Network Disconnected, Disk Offline, Disk Abnormal, Illegal Access, Hard Disk Space Low, Hard Disk Full, Recording/Snapshot Abnormal
GUI Language	
GUI Language	38 languages: Simplified Chinese, Traditional Chinese, English, Vietnamese, Thai, Turkish, Spanish (Latin America), Portuguese (Brazil), Spanish, Portuguese, French, German, Italian, Dutch, Polish, Czech, Hungarian, Slovak, Russian, Hebrew, Arabic, Ukrainian, Estonian, Bulgarian, Greek, Romanian, Danish, Swedish, Norwegian, Finnish, Croatian, Slovenia, Serbia, Korean, Japanese, Latvian, Lithuanian, Persian
Hard Disk	
SATA	16 SATA Interfaces

Capacity	Up to 16 TB for each HDD (The maximum HDD capacity varies with environment temperature)
Disk Group	Support
Redundant Storage	Support
Disk Array Type	RAID 0, 1, 5, 6, 10, 50, 60
Hot Swap	Support
<b>External Interface</b>	
Network Interface	2 RJ45 10 M/100 M/1000 M self-adaptive Ethernet Interface
USB	Front panel: 2 × USB2.0, Rear panel: 2 × USB3.0
RS485	1
RS232	1
Alarm In	16-ch
Alarm Out	10-ch
eSATA	1
Power Output	12 V
Power Supply	AC 100 to 240 V
Power Switch	Support
Redundant Power Supply	Support
<b>Working Environment</b>	
Working Temperature	-10 °C to 55 °C (14 °F to 131 °F)
Working Humidity	≤ 90% RH (non-condensing)
Power Consumption (without HDD)	≤ 50W
<b>Dimensions</b>	
Weight (without HDD)	≤ 6.5Kg (14.3lb)
Height	3U
Dimensions	482mm × 533mm × 131mm (19.0"×21.0"×5.1")
<b>Certification</b>	
Certification	CE; FCC; UL; RoHS; WEEE
CE	EN 55032, EN 61000-3-3, EN IEC 61000-3-2, EN 55035
FCC	Part15 Subpart B

## Dimensions



## Accessories

FB-HD04-B-NB

4-ch HDMI Output Decoding Card



FB-HD07-B-NB

7-ch HDMI Output Decoding Card



SL-A

Slide Rail

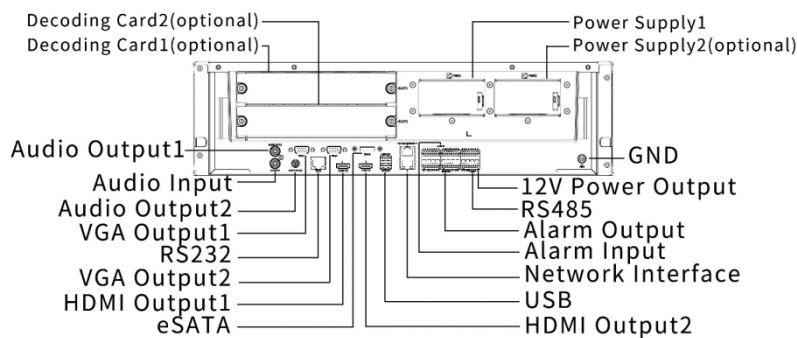
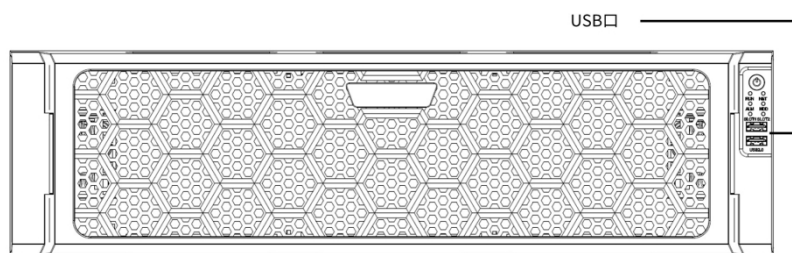


PWR-DC12-350A-IN

350W Power Accessories Module



## Rear Panel



**Zhejiang Uniview Technologies Co., Ltd.**

No. 369, Xietong Road, Xixing Sub-district, Binjiang District, Hangzhou City, 310051, Zhejiang Province, China (Zhejiang) Pilot Free Trade Zone, China

Email: [overseasbusiness@uniview.com](mailto:overseasbusiness@uniview.com); [globalsupport@uniview.com](mailto:globalsupport@uniview.com)

<http://www.uniview.com>

©2023-2024 Zhejiang Uniview Technologies Co., Ltd. All rights reserved.

\*Product specifications and availability are subject to change without notice.

\*Despite our best efforts, technical or typographical errors may exist in this document. Uniview cannot be held responsible for any such errors and reserves the right to change the contents of this document without prior notice.